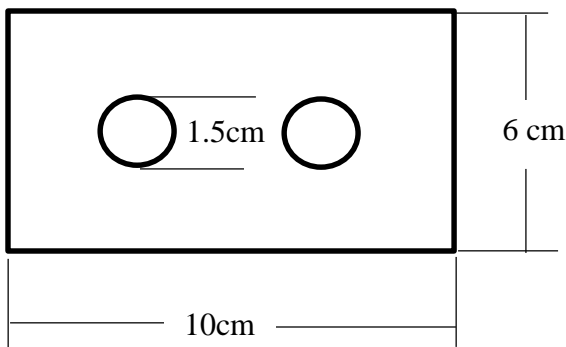


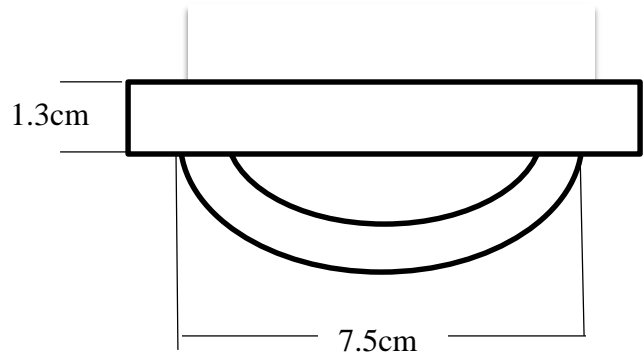
Spaghetti Bridge Rules

1. The bridge must cover a span of 50 cm. (In other words the gap is 50cm.)
2. Only spaghetti and white glue or hot glue is permitted. No construction glue, gorilla glue or resin type glues allowed. (No other types of pasta permitted)
3. The bridge must sit on the supports. No other supporting structure permitted. See diagram.
4. Maximum total height is 300mm.
5. Maximum width is 100mm.
6. Maximum length is 600mm.
7. There is no weight limit. The challenge is a weight supported vs. weight of bridge.
8. No logs are permitted.
9. Testing of the bridge will be done in the centre of the bridge using a plate that is approximately 100mm long by 60mm wide. A U-bolt arrangement will protrude through the bottom to hook the weights. A hole of suitable size must exist for the bolt to go through.

Scoring - 1% if the bridge supports 4 times it weight
 2% if supports 8 times it weight.



Top View of Testing Device



Side View of Tester

The piece shown in the diagrams must sit on the main surface of your bridge and the u-bolt will protrude through the bottom. Another device will be attached to the u-bolt and weights will be loaded there.

